


6.034  
Images & Constraints  
Dr. Howard Shrobe  
September 18, 2019



Last time's lesson



Aldolfo Guzman-Arenas



David Huffman

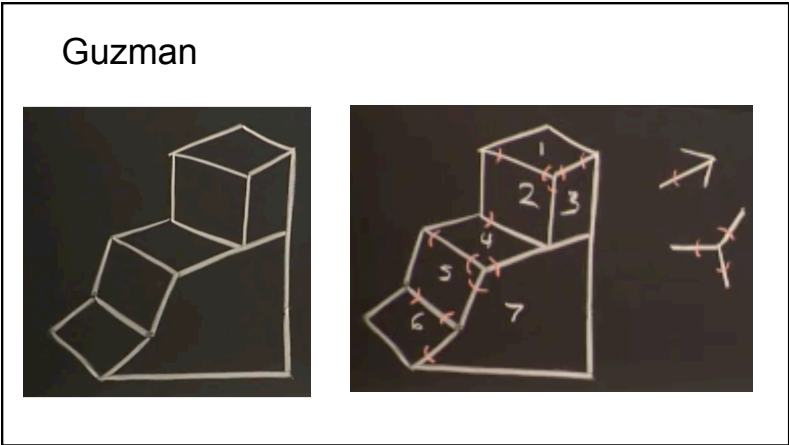
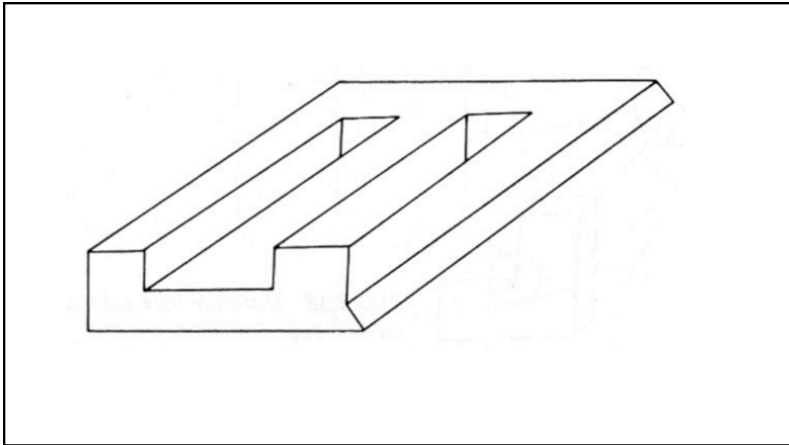
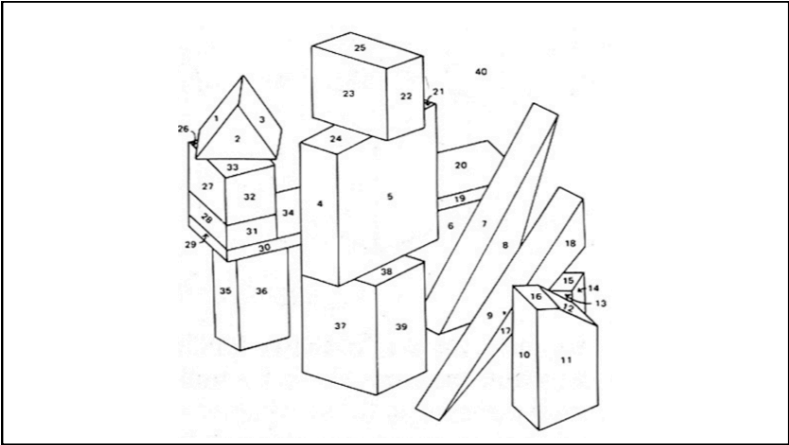
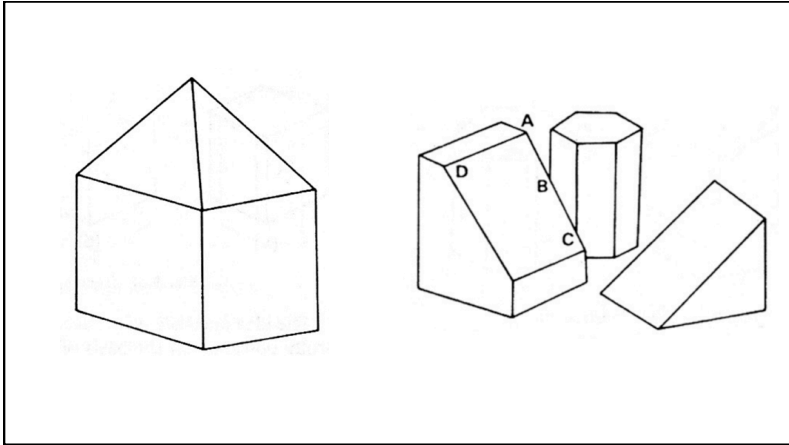


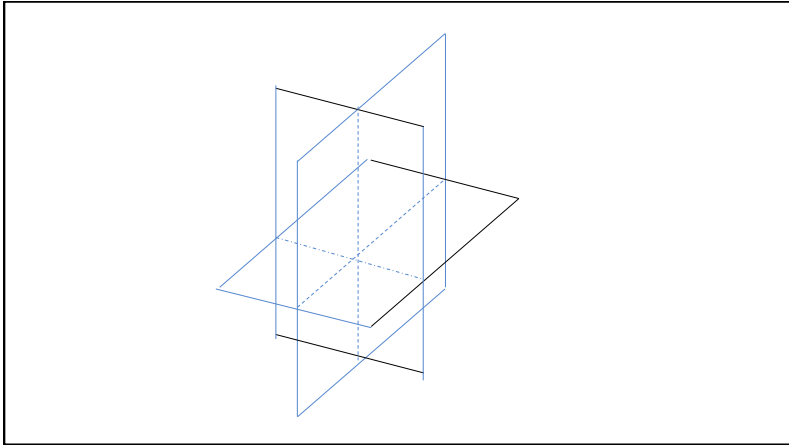
David Waltz



Eugene Freuder







□ LET  $C$  BE A CONSTRAINT...  
MATHematician

□ GUZMAN → HUFFMAN → WALTZ  
EXPERIMENTALIST

1 GENERAL POSITION  
2 TRIHEDRAL

3 CONCAVE  
CONVEX  
BOUNDARY → OBJECT

The complex block contains three hand-drawn diagrams on a black background. The first diagram shows a cube and a rectangular prism with an 'X' on one of its faces, labeled '1 GENERAL POSITION' and '2 TRIHEDRAL'. The second diagram shows a boundary with arrows pointing to an object, labeled '3 CONCAVE', 'CONVEX', and 'BOUNDARY → OBJECT'.

